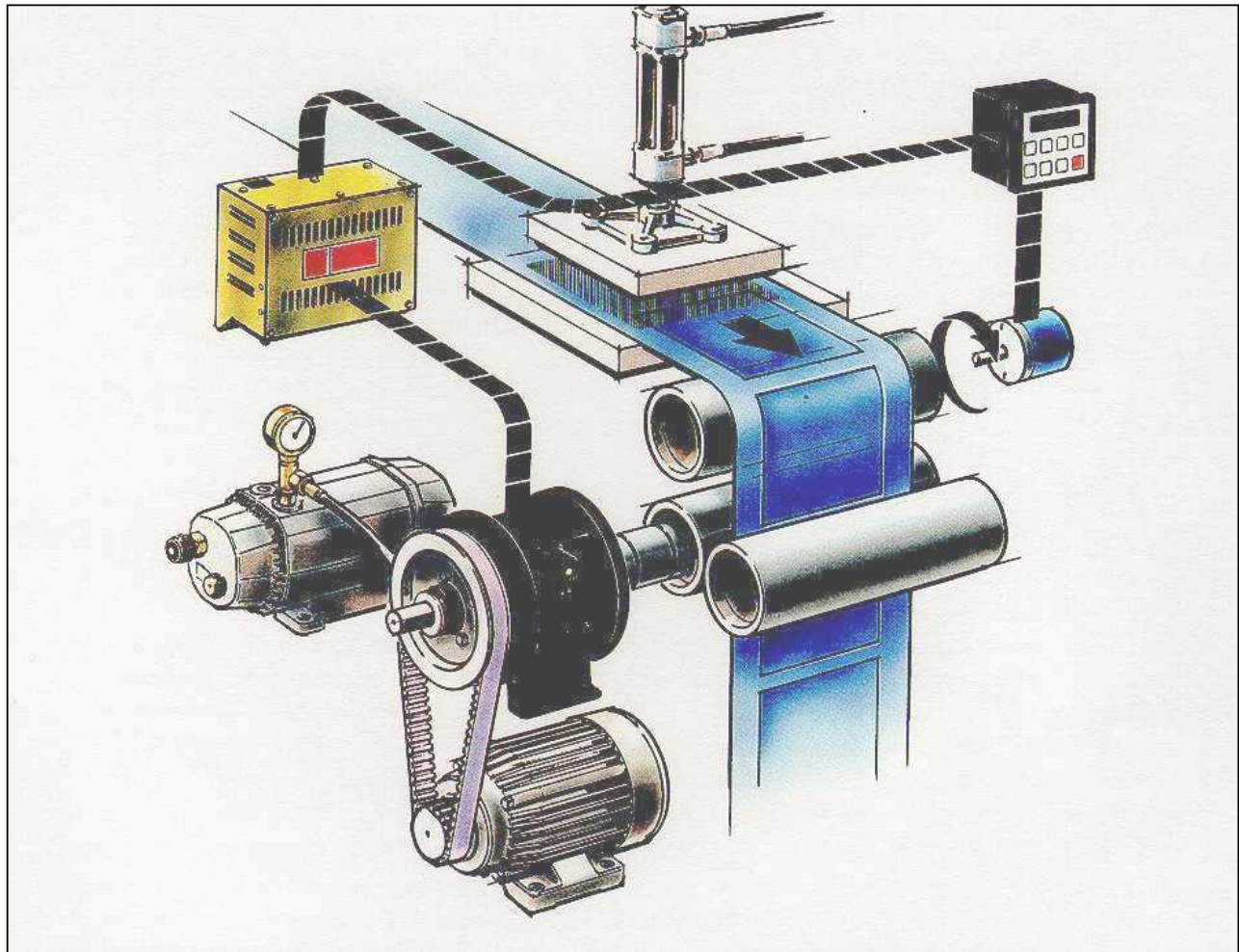


Feed and positioning – Printing or stamping

Application Info: 009 [10.2005]



Function

- Feed and positioning of film, paper etc...
- Setting of feeding length variable by programmable counter.

Advantages

- High positioning accuracy.
- High production capacity.
- High cycling frequency.
- Flexible switching between different feeding lengths.